



1

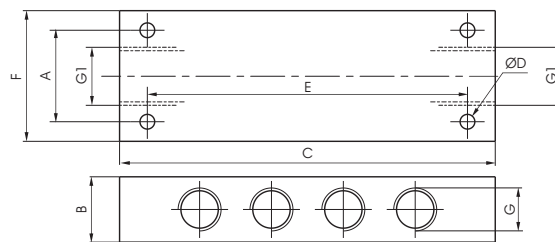
**Manifold 10 ports**

Ordering code

**6.08.Ⓢ/8**

CONNECTION

- 05 = M5
- 18 = G 1/8"
- 14 = G 1/4"
- 38 = G 3/8"
- 12 = G 1/2"



G	M5	1/8"	1/4"	3/8"	1/2"
G1	G1/8"	1/8"	1/4"	3/8"	1/2"
A	16	20	28	28	36
B	12	18	20	20	30
C	60	90	115	130	170
ØD	3,3	4,5	4,5	5,5	5,5
E	50	75	98	112	150
F	22	32	40	40	50
Weight gr.	92	110	185	165	460

Weight \*see table\*

**Operational characteristics**

Fluid	Max working pressure (bar)	Temperature °C
Filtered air	20 bar	-5 - +70

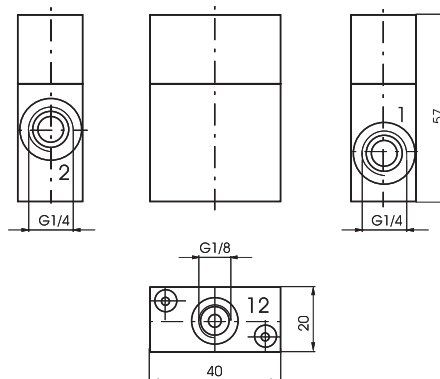
**Block valve G1/4"**

Ordering code

**6.09.14.ⓕ**

FUNCTION

- ⓕ UN = Unidirectional
- BN = Bidirectional



Weight gr. 122



**Operational characteristics**

Fluid	Max working pressure (bar)	Min. piloting pressure	Temperature °C	Flow rate at 6 bar with Δp=1 (NI/min)	Orifice size (mm)
Filtered and lubricated air	10 bar	4 bar	-5 - +70	700 NI/min	mm. 7

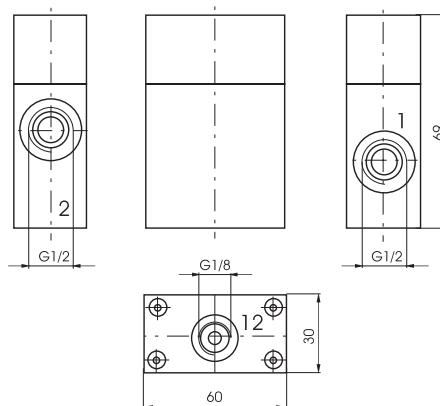
**Block valve G1/2"**

Ordering code

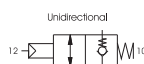
**6.09.12.ⓕ**

FUNCTION

- ⓕ UN = Unidirectional
- BN = Bidirectional



Weight gr. 305



**Operational characteristics**

Fluid	Max working pressure (bar)	Min. piloting pressure	Temperature °C	Flow rate at 6 bar with Δp=1 (NI/min)	Orifice size (mm)
Filtered and lubricated air	10 bar	4 bar	-5 - +70	2000 NI/min	mm. 12