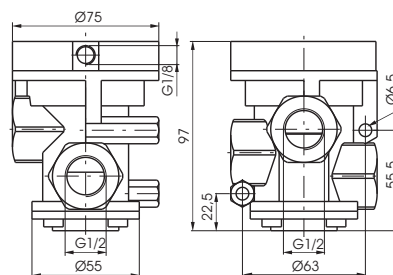




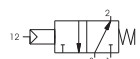
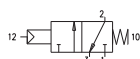
2

Pneumatic - Spring

Ordering code
772/V.32.11.F
FUNCTION
F 1C=Normally Closed
1A=Normally Open



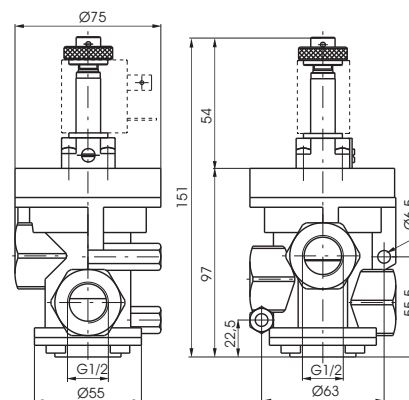
Weight gr. 1100
Minimum piloting pressure 2 bar



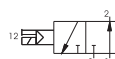
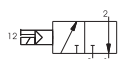
Operational characteristic	Fluid	Temperature °C	Orifice size (mm)	Working ports size	Pilot ports size
	Vacuum		-5 - + 70	15	G 1/2"

Solenoid - Spring - Internal Pilot

Ordering code
772/V.32.0.F.M2/V
FUNCTION
F 1AA=Normally Open
1AC=Normally Closed



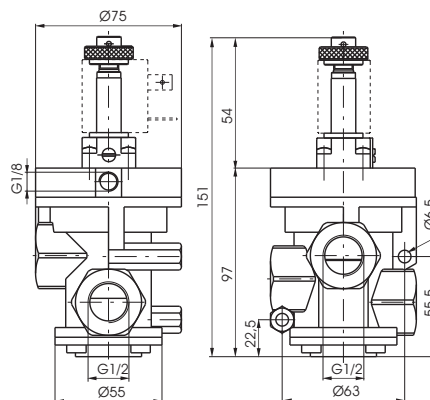
Weight gr. 1160



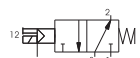
Operational characteristic	Fluid	Temperature °C	Orifice size (mm)	Working ports size	Pilot ports size
	Vacuum		-5 - + 50	15	G 1/2"

Solenoid - Spring - External Pilot

Ordering code
772/V.32.0.F.M2
FUNCTION
F 1A=Normally Open
1C=Normally Closed



Weight gr. 1160
Minimum piloting pressure 2 bar (External Pilot)



Operational characteristic	Fluid	Temperature °C	Orifice size (mm)	Working ports size	Pilot ports size
	Vacuum		-5 - + 50	15	G 1/2"