



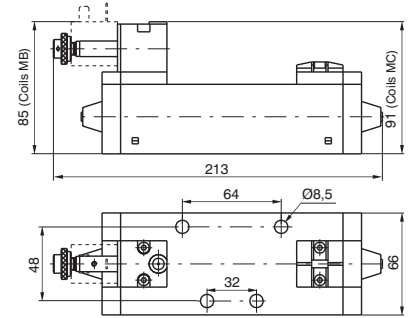
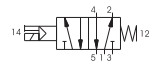
2

Solenoid - Spring - 5/2

Ordering code
1013.52.3.9.M
M MECHANICAL CODE See Valves Series 300 CNOMO



Weight gr. 1060
Minimum operating pressure 2,5 bar



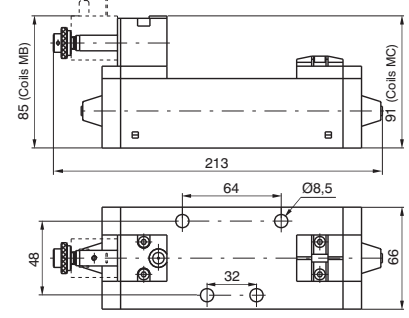
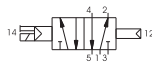
Operational characteristic	Fluid	Max working pressure (bar)	Temperature °C	Flow rate at 6 bar with Δp=1 (NI/min)
	Filtered and lubricated air	10	-5 - +50	3600

Solenoid - Differential - 5/2

Ordering code
1013.52.3.6.M
M MECHANICAL CODE See Valves Series 300 CNOMO



Weight gr. 1080
Minimum operating pressure 2 bar



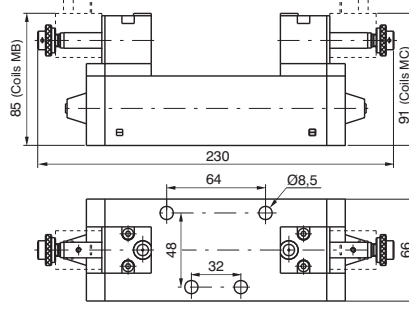
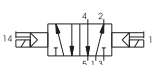
Operational characteristic	Fluid	Max working pressure (bar)	Temperature °C	Flow rate at 6 bar with Δp=1 (NI/min)
	Filtered and lubricated air	10	-5 - +50	3600

Solenoid - Solenoid - 5/2

Ordering code
1013.52.3.5.M
M MECHANICAL CODE See Valves Series 300 CNOMO



Weight gr. 1170
Minimum operating pressure 1,5 bar



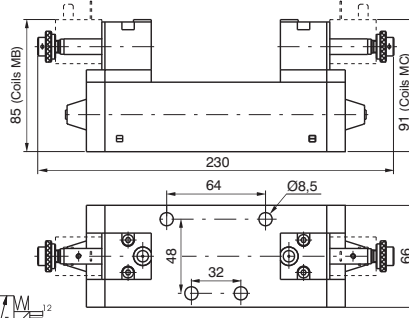
Operational characteristic	Fluid	Max working pressure (bar)	Temperature °C	Flow rate at 6 bar with Δp=1 (NI/min)
	Filtered and lubricated air	10	-5 - +50	3600

Solenoid - Solenoid - 5/3

Ordering code
1013.53.F.3.5.M
F FUNCTION 31=Closed centres 32=Open centres 33=Pressured centres
M MECHANICAL CODE See Valves Series 300 CNOMO



Weight gr. 1170
Minimum operating pressure 3 bar



Operational characteristic	Fluid	Max working pressure (bar)	Temperature °C	Flow rate at 6 bar with Δp=1 (NI/min)
	Filtered and lubricated air	10	-5 - +50	3000